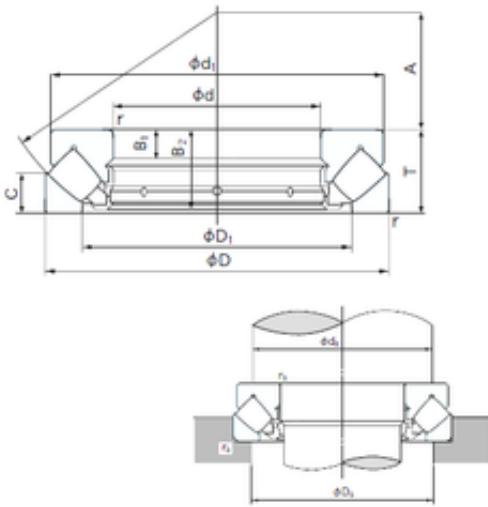




Huaxin Bearing Co., Ltd

120 mm x 210 mm x 18 mm NACHI 29324E thrust roller bearings

Bearing No. 29324E



29324E Bearing 2D drawings and 3D CAD models

Size	120x210x54 mm
Bore Diameter	120 mm
Outer Diameter	210 mm
Width	54 mm
d	120 mm
D	210 mm
T	54 mm
d1	200 mm
r min.	2.1 mm
A	70 mm
B1	18 mm
B2	51 mm
C	26 mm
D1	159 mm
da min.	160 mm
Da max.	180 mm
ra max.	2 mm
Weight	7.9 Kg
Basic dynamic load rating (C)	565 kN
Basic static load rating (C0)	2030 kN
Bore Type	Cylindrical Bore
Enclosure	Open
Configuration	Single Row
Bore Size	120 mm
Outside Diameter	210 mm



Huaxin Bearing Co., Ltd

Fillet Radius/Chamfer	2.1 mm
Width	54 mm
Dynamic Load Rating	565,000 N
Static Load Rating	2,030,000 N
Limiting Speed - Oil	1,900 rpm
B	18 mm
da (min)	160 mm
Da (max)	180 mm
ra (max)	2 mm