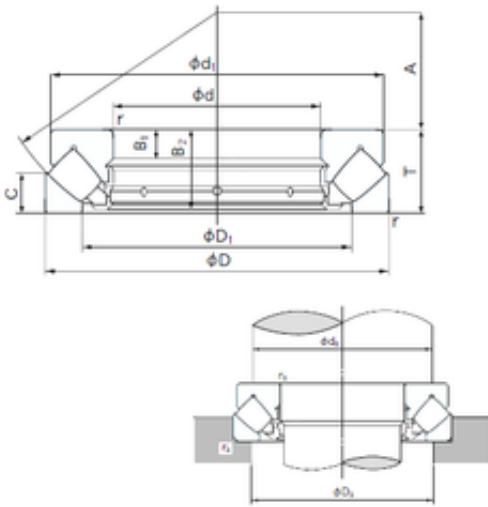




Huaxin Bearing Co., Ltd

380 mm x 600 mm x 44 mm NACHI 29376E thrust roller bearings

Bearing No. 29376E



29376E Bearing 2D drawings and 3D CAD models

Size	380x600x132 mm
Bore Diameter	380 mm
Outer Diameter	600 mm
Width	132 mm
d	380 mm
D	600 mm
T	132 mm
d1	580 mm
r min.	6 mm
A	216 mm
B1	44 mm
B2	127 mm
C	63 mm
D1	477 mm
da min.	480 mm
Da max.	525 mm
ra max.	5 mm
Weight	140 Kg
Basic dynamic load rating (C)	3400 kN
Basic static load rating (C0)	15300 kN
Bore Type	Cylindrical Bore
Enclosure	Open
Configuration	Single Row
Bore Size	380 mm
Outside Diameter	600 mm



Huaxin Bearing Co., Ltd

Fillet Radius/Chamfer	6 mm
Width	132 mm
Dynamic Load Rating	3,400,000 N
Static Load Rating	15,300,000 N
Limiting Speed - Oil	540 rpm
B	44 mm
da (min)	480 mm
Da (max)	525 mm
ra (max)	5 mm