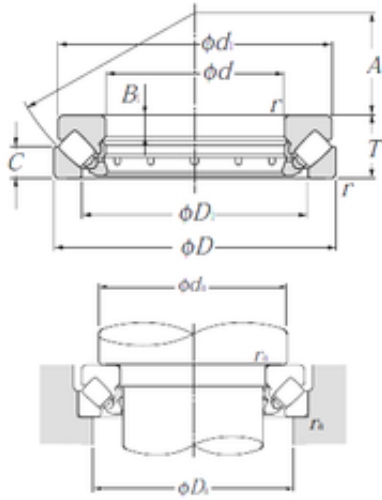




Huaxin Bearing Co., Ltd



29232 Bearing 2D drawings and 3D CAD models

NTN 29232 thrust roller bearings

Bearing No. 29232

Size	160x225x39 mm
Bore Diameter	160 mm
Outer Diameter	225 mm
Width	39 mm
d	160 mm
D	225 mm
T	39 mm
B1	14 mm
C	19 mm
d1	219 mm
r min.	1,5 mm
A	86 mm
D1	188 mm
da min.	189 mm
Da max.	206 mm
ra max.	1,5 mm
Weight	4,88 Kg
Basic dynamic load rating (C)	360 kN
Basic static load rating (C0)	1 460 kN
Category	Roller Bearings
Inventory	0.0
Manufacturer Name	NTN
Minimum Buy Quantity	N/A
Weight / Kilogram	4.81
Product Group	B04311
bore diameter:	160 mm



Huaxin Bearing Co., Ltd

dynamic load capacity:	360 kn
outside diameter:	225 mm
maximum rpm:	1700 RPM
overall width:	39 mm
separable type:	Separable Bearing
cage material:	Brass
fillet radius:	1.5 mm
static load capacity:	1460 kN
series:	292