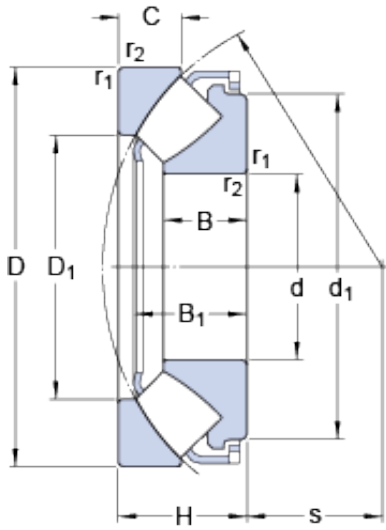




Huaxin Bearing Co., Ltd



29432 E Bearing 2D drawings and 3D CAD models

160 mm x 320 mm x 60.5 mm SKF 29432 E thrust roller bearings

Bearing No. 29432 E

Size	320x160x95 mm
Bore Diameter	320 mm
Outer Diameter	160 mm
Width	95 mm
d	160 mm
D	320 mm
H	95 mm
d ₁	279 mm
D ₁	224 mm
B	60.5 mm
B ₁	84.3 mm
C	45.5 mm
s	99 mm
r _{1,2} - min.	5 mm
d _a - min.	235 mm
d _{b1} - max.	175 mm
d _{b2} - max.	189 mm
D _a - max.	270 mm
r _a - max.	4 mm
Basic dynamic load rating - C	2080 kN
Basic static load rating - C ₀	5600 kN
Fatigue load limit - P _u	570 kN
Reference speed	1100 r/min
Limiting speed	2000 r/min



Huaxin Bearing Co., Ltd

Factor min. axial load - A	3
Category	Thrust Roller Bearing
Inventory	0.0
Manufacturer Name	SKF
Minimum Buy Quantity	N/A
Weight / Kilogram	33.53
Product Group	B04311
Rolling Element	Spherical Roller Bearing
Self Aligning	Yes
Component Description	Roller Assembly plus Raceways
Thrust Bearing	Yes
Single or Double Direction	Single Direction
Banded	No
Cage Material	Steel
Precision Class	ABEC 1 ISO P0
Other Features	Single Row Window Type Cage
Long Description	160MM Bore 1; 223.5MM Bore 2; 320MM Outside Diameter; 95MM Height; Spherical Roller Bearing; Single Direction; Self Aligning; Not Banded; Steel Cage; ABEC 1 ISO P0; Roller Assembly plus Raceways
Inch - Metric	Metric
Category	Thrust Roller Bearings
UNSPSC	31171507
Harmonized Tariff Code	8482.30.00.40
Noun	Bearing
Keyword 3	Spherical
Keyword String	Thrust Roller Spherical
Manufacturer URL	http://www.skf.com



Huaxin Bearing Co., Ltd

Manufacturer Item Number	29432 E
Weight / LBS	73.855
Outside Diameter	12.598 Inch 320 Millimeter
Overall Height with Aligning Washer	0 Inch 0 Millimeter
Bore 2	8.799 Inch 223.5 Millimeter
Height	3.74 Inch 95 Millimeter
Bore 1	6.299 Inch 160 Millimeter
bore diameter:	160 mm
dynamic load capacity:	2080 kN
outside diameter:	320 mm
maximum rpm:	2000 RPM
overall width:	95 mm
separable type:	Non-Separable
operating temperature range:	Maximum of +392 ° F
fillet radius:	4 mm
static load capacity:	5600 kN
series:	294
cage material:	Steel
d_1	279 mm
D_1	224 mm
B_1	84.3 mm
$r_{1,2}$ min.	5 mm
d_a min.	235 mm
d_{b1} max.	175 mm
d_{b2} max.	189 mm
D_a max.	270 mm
r_a max.	4 mm
Basic dynamic load rating C	2080 kN
Basic static load rating C_0	5600 kN
Fatigue load limit P_u	570 kN



Huaxin Bearing Co., Ltd

Minimum axial load factor A	3
Mass bearing	32 kg