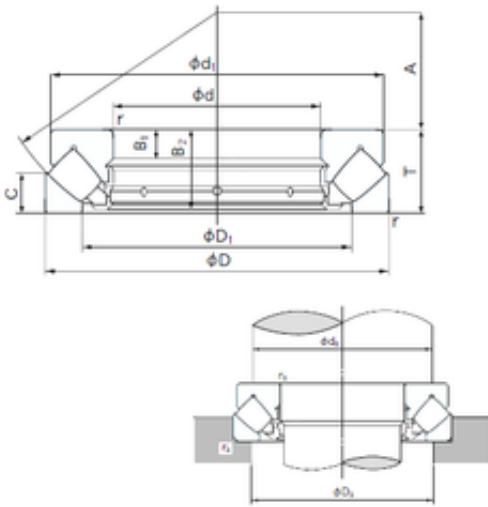




Huaxin Bearing Co., Ltd

280 mm x 380 mm x 19 mm NACHI 29256E thrust roller bearings

Bearing No. 29256E



29256E Bearing 2D drawings and 3D CAD models

Size	280x380x60 mm
Bore Diameter	280 mm
Outer Diameter	380 mm
Width	60 mm
d	280 mm
D	380 mm
T	60 mm
d1	370 mm
r min.	2.1 mm
A	150 mm
B1	19 mm
B2	57 mm
C	30 mm
D1	323 mm
da min.	325 mm
Da max.	345 mm
ra max.	2 mm
Weight	19.5 Kg
Basic dynamic load rating (C)	935 kN
Basic static load rating (C0)	4500 kN
Category	Bearings
Inventory	0.0
Manufacturer Name	NACHI
Minimum Buy Quantity	N/A
Weight / Kilogram	0



Huaxin Bearing Co., Ltd

Product Group	B04311
Bore Type	Cylindrical Bore
Enclosure	Open
Configuration	Single Row
Bore Size	280 mm
Outside Diameter	380 mm
Fillet Radius/Chamfer	2.1 mm
Width	60 mm
Dynamic Load Rating	935,000 N
Static Load Rating	4,500,000 N
Limiting Speed - Oil	1,200 rpm
B	19 mm
da (min)	325 mm
Da (max)	345 mm
ra (max)	2 mm