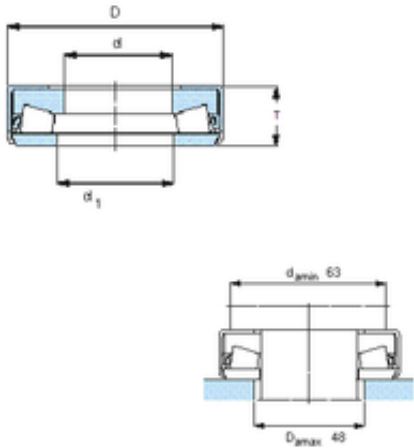




Huaxin Bearing Co., Ltd

FAG 528546C thrust roller bearings

Bearing No. 528546C



Size	45.1x74x20 mm
Bore Diameter	45,1 mm
Outer Diameter	74 mm
Width	20 mm
d	45,1 mm
D	74 mm
T	20 mm

528546C Bearing 2D drawings and 3D CAD models